

Angelucci 20th Century



Slimline Seating Range

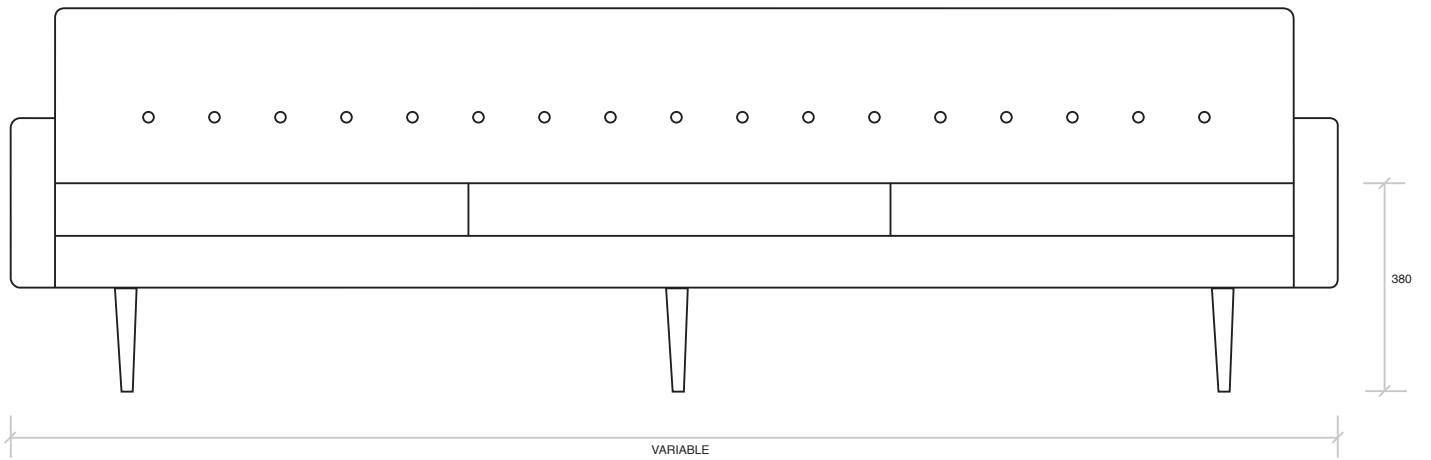
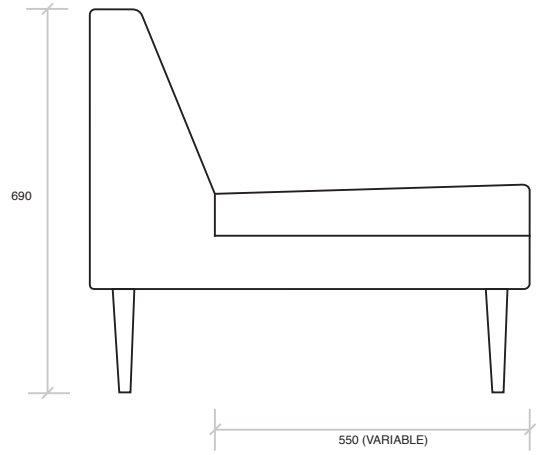
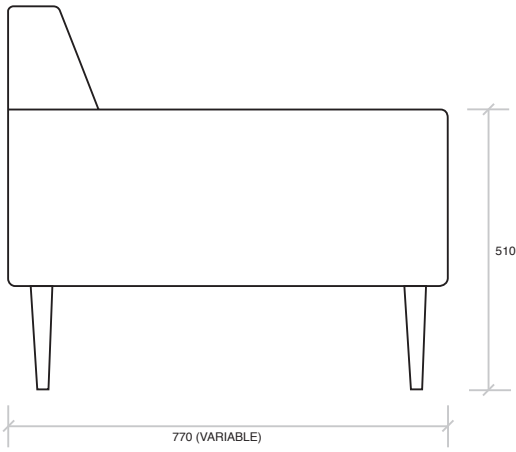


Based on George Nelsons' timeless 1952 design, the Slimline Lounge system comprises 3 standard pieces, with a multitude of variations that can be made to order to suit any living space.

Options Include

- timber or steel legs
- loose cushions or integral seat
- optional arms
- ottoman/gallery bench
- variable length & depth
- attached side tables
- 'L' shaped corner suites

See website for more images



A series of horizontal lines for writing, consisting of a solid top line, a dashed middle line, and a solid bottom line, repeated multiple times.